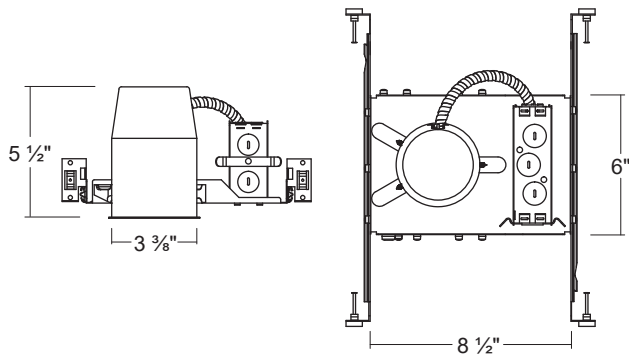
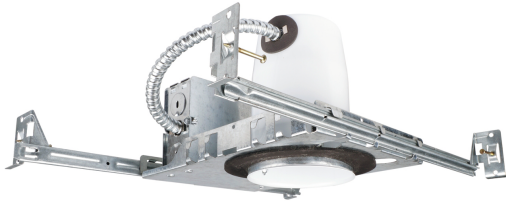


Project: _____
 Fixture Type: _____
 Location: _____
 Contact/Phone: _____



H350LGICQA

3.5" IC Incandescent New Construction Housing



L-tech 3.5" LED GU10 dedicated IC housing, H350LGICQA is designed for new construction using GU10 LED Max 10W and for direct contact with insulation.

DESCRIPTION

Plaster Frame

- Galvanized steel construction. The housing can be removed from plaster frame to provide access to the junction box.

Junction Box

- Listed for through branch circuit wiring.
- Contains seven 7/8" knockouts and four Romex pryouts with strain relief.

Bar Hanger

- Pre-installed Real nail easily installs in regular lumber, engineered lumber.
- Bar hanger are adjustable from 13-5/8" to 25" and can be repositioned 90 degree on plaster frame.

Thermal Protector

- Self resetting thermal protector deactivates fixture if overheating occurs due to improper lamping or misapplied insulation.

Lamps

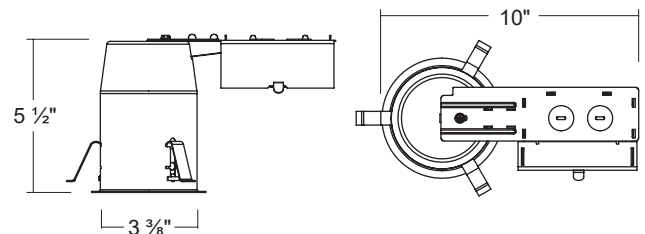
- GU 10 LED Max. 10W

Listings

- cULus Listed for Damp Location
- cULus Listed for Feed Through
- Certified under ASTM-E283 for Air tight construction

H350LGRICQA

3.5" IC Incandescent Remodel Housing



L-tech 3.5" LED GU10 dedicated IC housing, H350LGRICQA is designed for remodel application using GU10 LED Max 10W and for direct contact with insulation.

DESCRIPTION

Junction Box

- Listed for through branch circuit wiring.
- Contains one 1-1/8", six 7/8" knockouts and four Romex pryouts with strain relief.

Remodel Clips

- Three remodel clips secure housing and accommodates 1/2" and 5/8" ceiling materials.

Thermal Protector

- Self resetting thermal protector deactivates fixture if overheating occurs due to improper lamping or misapplied insulation.

Lamps

- GU 10 LED Max. 10W

Listings

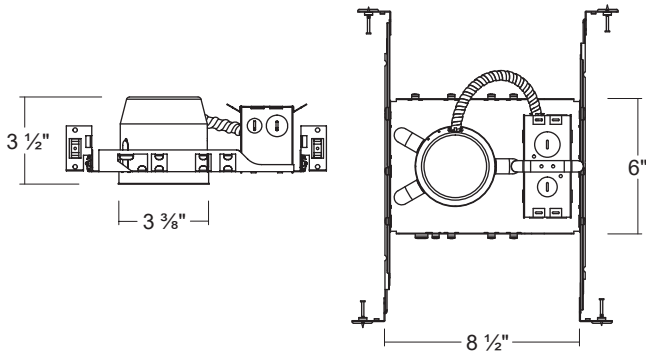
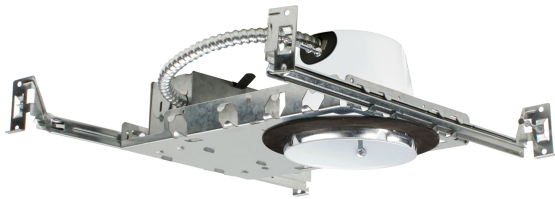
- cULus Listed for Damp Location
- cULus Listed for Feed Through
- Certified under ASTM-E283 for Air tight construction

Project: _____
 Fixture Type: _____
 Location: _____
 Contact/Phone: _____



H350LGSICQA

3.5" IC Incandescent New Construction Shallow Housing



L-tech 3.5" LED GU10 dedicated IC Shallow housing, H350LGSICQA is designed for new construction using GU10 LED Max 10W and for direct contact with insulation.

DESCRIPTION

Plaster Frame

- Galvanized steel construction. The housing can be removed from plaster frame to provide access to the junction box.

Junction Box

- Listed for through branch circuit wiring.
- Contains one 1-1/8", one 5/8", three 7/8" knockouts and four Romex pryouts with strain relief.

Bar Hanger

- Pre-installed Real nail easily installs in regular lumber, engineered lumber.
- Bar hanger are adjustable from 13-5/8" to 25" and can be repositioned 90 degree on plaster frame.

Thermal Protector

- Self resetting thermal protector deactivates fixture if overheating occurs due to improper lamping or misapplied insulation.

Lamps

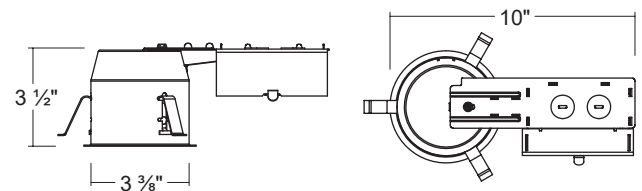
- GU 10 LED Max. 10W

Listings

- cULus Listed for Damp Location
- cULus Listed for Feed Through
- Certified under ASTM-E283 for Air tight construction

H350LGSRICQA

3.5" IC Incandescent Remodel Shallow Housing



L-tech 3.5" LED GU10 dedicated IC Shallow housing, H350LGSRICQA is designed for remodel application using GU10 LED Max 10W and for direct contact with insulation.

DESCRIPTION

Junction Box

- Listed for through branch circuit wiring.
- Contains one 1-1/8", six 7/8" knockouts and four Romex pryouts with strain relief.

Remodel Clips

- Three remodel clips secure housing and accommodates 1/2" and 5/8" ceiling materials.

Thermal Protector

- Self resetting thermal protector deactivates fixture if overheating occurs due to improper lamping or misapplied insulation.

Lamps

- GU 10 LED Max. 10W

Listings

- cULus Listed for Damp Location
- cULus Listed for Feed Through
- Certified under ASTM-E283 for Air tight construction